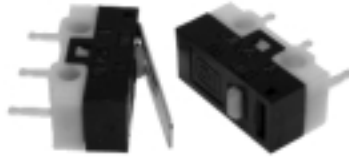


## Ultra Miniature Microswitch

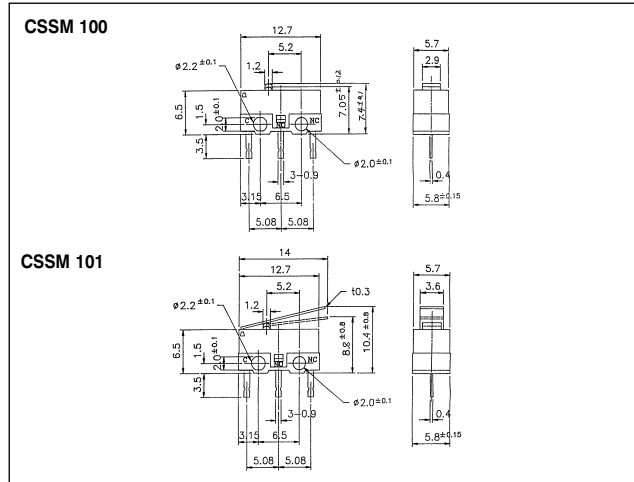
### Features

- Rating 1A switching S.P.D.T.
- Space saving

Type No.	Style
CSSM100	button
CSSM101	lever



CSSM Series



### Specification

Rating:	1A 125V AC
Dielectric strength:	1kV
Contact resistance:	50mΩ max
Insulation resistance:	100MΩ min
Life mechanical:	3x10 <sup>5</sup> operations min
Life electrical:	3x10 <sup>4</sup> operations min
Temperature range:	-20°C to +70°C
Materials body:	Phenolic resin
Materials button:	PA 66
Materials actuators:	Stainless steel
Contact:	Silver
Terminals:	Silver plated brass

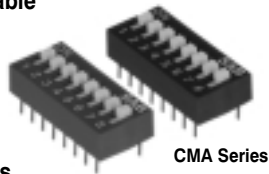
### Actuator specification

	Button 00	Lever 101
Operating force max (g)	110	35
Pre travel max (mm)	0.4	1.8
Movement differential (mm)	0.1	0.5
Over travel min (mm)	0.2	5.5

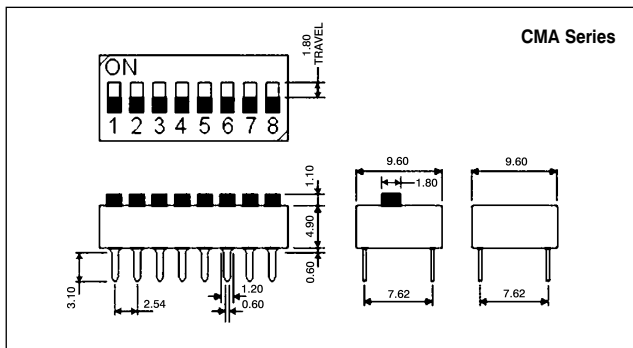
## Box Type DIL switch

### Features

- On and "off" types available
- 2.54mm pitch
- 1-12 positions
- Flow solder
- Wash away cleaning
- Tin self cleaning contacts
- Flame retardant UL94-V0 mouldings
- Anti solder wicking



CMA Series



### Specification

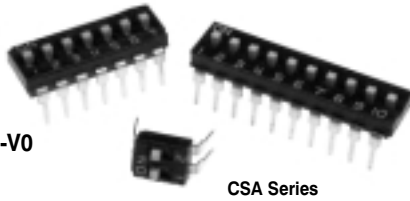
Rating:	Load 100mA 50V DC Switching 25mA 25V DC Switching 100mA 5V DC
Contact resistance:	<50mΩ
Insulation resistance:	500V DC 100MΩ
Dielectric strength:	500V DC 1 minute
Life:	3000 operations min
Operating force:	<500g
Materials moulding:	UL94-V0 PA66+GF
Contact:	Phosphor bronze tin plated on nickel

Type No.	Poles	A Length	Type No.	Poles	A Length
Tin contacts – normally on			Tin contacts – normally off		
CMA01Z	1	3.54mm	CMA01ZB	1	3.54mm
CMA02Z	2	6.08mm	CMA02ZB	2	6.08mm
CMA04Z	4	11.16mm	CMA04ZB	4	11.16mm
CMA06Z	6	16.24mm	CMA06ZB	6	16.24mm
CMA08Z	8	21.32mm	CMA08ZB	8	21.32mm
CMA10Z	10	26.40mm	CMA10ZB	10	26.40mm
CMA12Z	12	31.48mm	CMA12ZB	12	31.48mm

## I.C. Type Dil switch

### Features

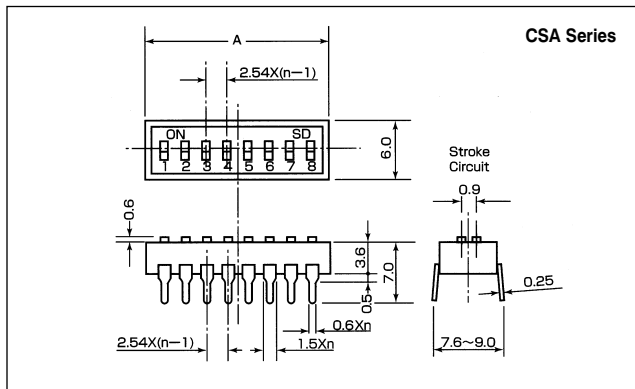
- 2.54mm pitch
- 2, 3, 4, 5, 6, 7, 8, 9, 10, 12 positions
- Flow solder
- Wash away cleaning
- Tin self cleaning contacts
- Flame retardant UL94-V0 mouldings
- Auto insertion
- Tape seal available
- Anti solder wicking



CSA Series

### Specification

Rating:	Load 100mA 50V DC Switching 25mA 25V DC Switching 100mA 5V DC
Contact resistance:	< 50mΩ max
Insulation resistance:	100V DC 100MΩ
Dielectric strength:	500V DC 1 minute
Life:	> 3000 operations
Operating force:	< 1kg
Materials moulding:	UL94 PA66+GF
Contact:	Phosphor bronze tin plated on nickel



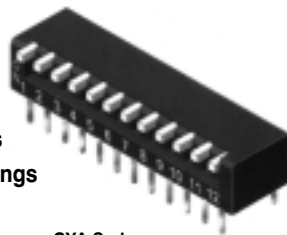
Type No.	Poles	A Length	Type No.	Poles	A Length
Tin contacts normally off					
CSA02ZL	2	5.08mm	CSA07ZL	7	18.52mm
CSA03ZL	3	7.62mm	CSA08ZL	8	21.06mm
CSA04ZL	4	10.90mm	CSA09ZL	9	23.60mm
CSA05ZL	5	13.44mm	CSA10ZL	10	26.14mm
CSA06ZL	6	15.98mm	CSA12ZL	12	31.22mm

For flush actuators delete 'L' from part no.

## Piano Type Dil switch

### Features

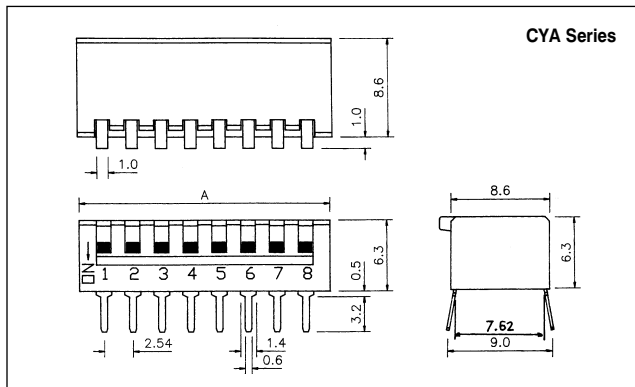
- 2.54mm pitch
- 2-12 positions
- Flow solder
- Wash away cleaning
- Tin plated self cleaning contacts
- Flame retardant UL94-V0 mouldings
- Anti Solder Wicking



CYA Series

### Specification

Rating:	Load 100mA 50V DC Switching 25mA 25V DC Switching 100mA 5V DC
Contact resistance:	< 50mΩ
Insulation resistance:	1000V DC. >100MΩ
Dielectric strength:	500V DC 1 minute
Mechanical Life:	> 3000 operations
Electrical Life:	> 2000 operations
Operating force:	< 800g
Materials moulding:	UL94-V0 PA66+GF
Contact:	Phosphor bronze tin plated on nickel

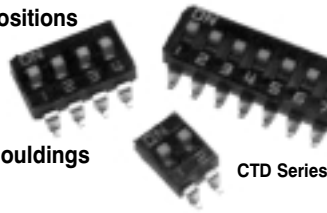


Type No.	Poles	A Length	Type No.	Poles	A Length
Tin contacts - normally off					
CYA02Z	2	6.08mm	CYA07Z	7	19.52mm
CYA03Z	3	8.72mm	CYA08Z	8	22.06mm
CYA04Z	4	11.90mm	CYA09Z	9	24.60mm
CYA05Z	5	14.44mm	CYA10Z	10	27.14mm
CYA06Z	6	16.98mm	CYA12Z	12	36.48mm

## Surface Mount DIL switch

### Features

- 2.54mm pitch
- 2, 3, 4, 5, 6, 7, 8, 9, 10, 12 positions
- Flow solder
- Wash away cleaning
- Tin self cleaning contacts
- Flame retardant UL94-V0 mouldings
- Auto insertion
- Tape seal available



Type No.	Poles	Length	Type No.	Poles	Length
Tin contacts normally off					
CTD02Z	2	5.08mm	CTD07Z	7	18.52mm
CTD03Z	3	7.62mm	CTD08Z	8	21.06mm
CTD04Z	4	10.90mm	CTD09Z	9	23.60mm
CTD05Z	5	13.44mm	CTD10Z	10	26.14mm
CTD06Z	6	15.98mm	CTD12Z	12	31.22mm

For raised actuator add L to part number. For tape seal add T to part number

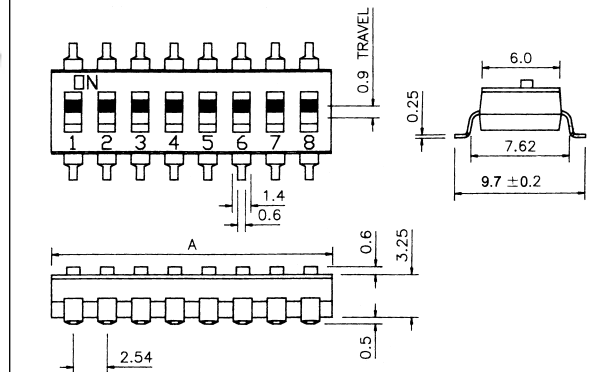
### Specification

Rating: Load 100mA 50V DC  
Switching 25mA 25V DC  
Switching 100mA 5V DC

Contact resistance: <math>< 50\text{m}\Omega</math>

Insulation resistance: >100V DC 100M $\Omega$

### CTD Series



### Specification

Dielectric strength: 500V DC 1 minute

Life: >3000 operations

Operating force: <math>< 1\text{kg}</math>

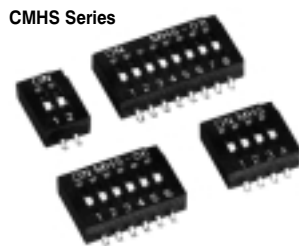
Materials moulding: UL94-V0 PA66+GF

Contact: Phosphor bronze tin plated on nickel

## Half Pitch DIL switch Surface mount

### Features

- Bifurcated gold contact
- 1.27mm pitch
- 2-8 positions
- Flow solder
- Self cleaning twin contacts
- Internally sealed
- Available tubed or taped and reeled



Type No.	Poles	A Length
CMHS02	2	4.3mm
CMHS04	4	6.9mm
CMHS06	6	9.4mm
CMHS08	8	12.0mm

### Specification

Rating: Load 100mA 50V DC  
Switching 25mA 25V DC  
Switching 100mA 5V DC

Contact resistance: 100m $\Omega$  max

Insulation resistance: 100V DC 100M $\Omega$  min

Dielectric strength: 250V DC 1 minute

Life: 1000 operations min

Operating force: 500g max

Contact: twin points gold plated

### CMHS Series

