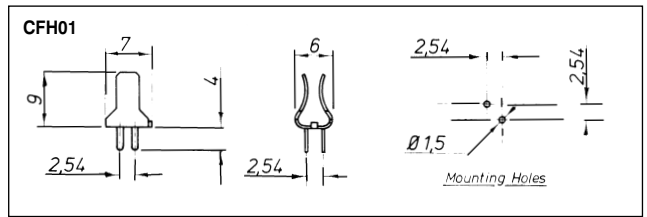


5x20mm **PCB Fuse Clip**

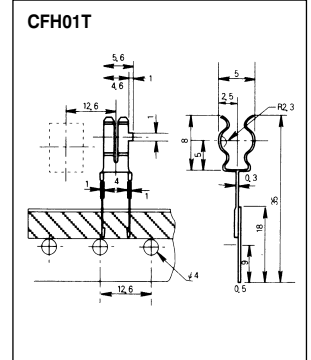
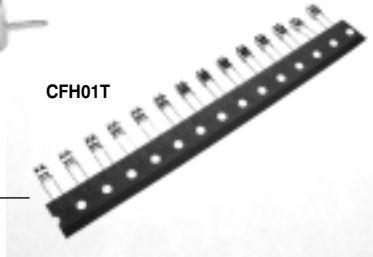
Features

- Low profile
- For 5 x 20mm glass and ceramic fuses
- Two mounting lugs:
CFH01 – 0.1" off set centres
CFH01/T – 5mm in line
- Industry standard
- Economical
- CFH01T supplied in ammpack for auto insertion

CFH01



CFH01T



Specification

Rating:	CFH01	5A/250V
	CFH01/T	10A/250V
Contacts:	CFH01	Tin dipped brass
	CFH01/T	Tinned phosphor bronze
Recommended PCB hole size:	CFH01	1.5mm
	CFH01T	1.2mm

Type No.	Fuse Size
CFH01	5x20mm
CFH01T	5x20mm

5x20mm **PCB Fuse Carrier**

Features

- PCB mounting
- Kinked pin for pcb retention CFH02W
- Transparent insulation cover CFH02H
- UL 94 V0 cover available on request – CFH02H V0
- Industry standard
- According to IEC 127-6
- 22.6mm pitch

CFH02

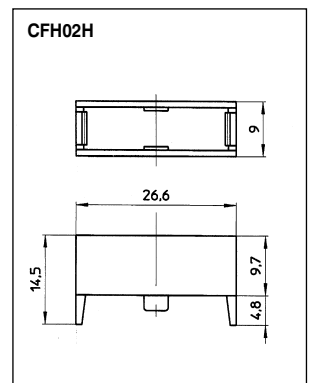
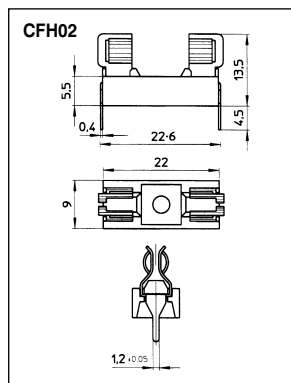
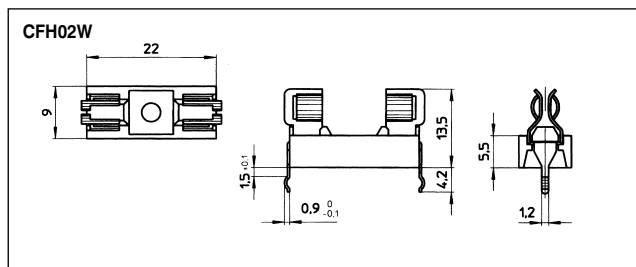
CFH02W

CFH02H



Specification

Rating:	10A / 250V
Contacts/Resistance:	Tinned nickel plated Brass/<5mΩ
Dielectric strength	>3kV/60sec
Moulding:	UL94-V1 self extinguishing PPOM
Insulation Resistance:	>100MΩ
Temperature:	-20°C to 125°C
Power dissipation:	1.6W
Recommended PCB hole size:	1.3mm
Approvals:	CE, SEMKO & VDE c pending



Type No.	Fuse Size
CFH02	5x20mm
CFH02W	5x20mm
CFH02H	5x20mm