

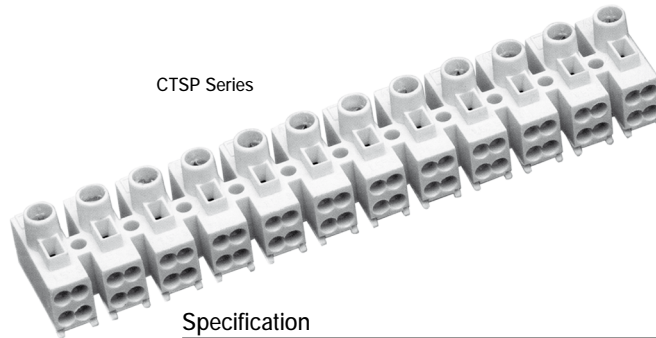


## Screw to screwless terminal strips

### Features

- Moulded from PA66
- Self extinguishing
- Fast connection of two or four solid conductors
- Screw to screw earth terminal
- Raised screws for easier insertion of conductors
- 12-poles, 2-poles plus earth, 3-poles plus earth or 4-poles plus earth
- 12-pole types can be pre-cut to specified number of poles
- All earth types marked with symbols for Live, Earth and Neutral
- CE,  &  approved
- CE 72/73 and 93/68
- Compliant with EN60598 4.7 and 11.2 (EN60598/1 for CTS4P series)
- All tests from EN60998-1, EN60998-2-1 and EN60998-2-2

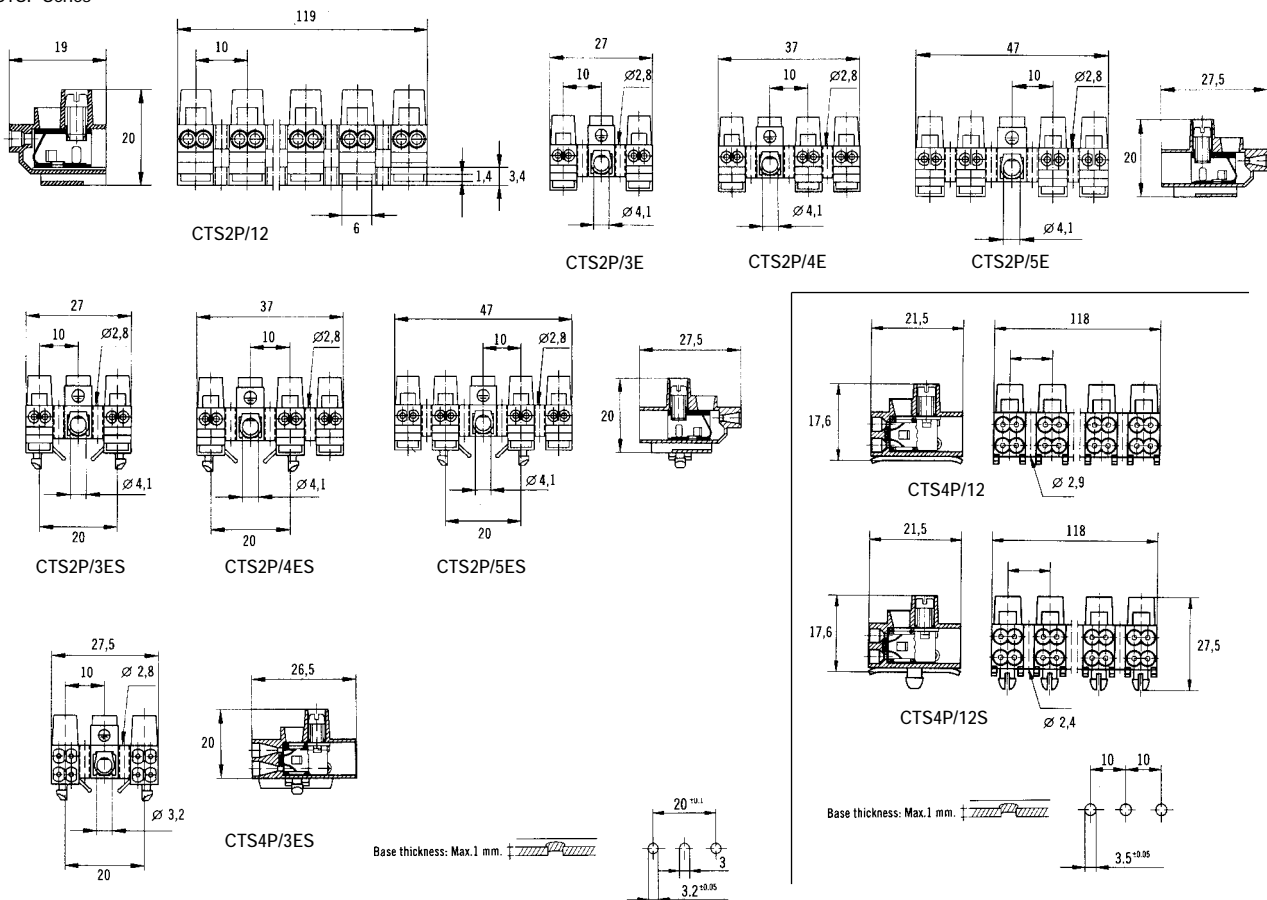


CTSP Series

### Specification

Voltage (max)	450V AC (CTS4P series 400V AC)
Working temperature	-5 to +85°C
No of poles	12, 2+E, 3+E or 4+E
Moulding	UL94-V2 self extinguishing PA66
Earth insert	Nickel-plated brass
Push-in terminal insert	Steel
Push-in terminal clamping spring	Stainless steel
Screws	Zinc-plated steel CO-15, metric thread

### CTSP Series



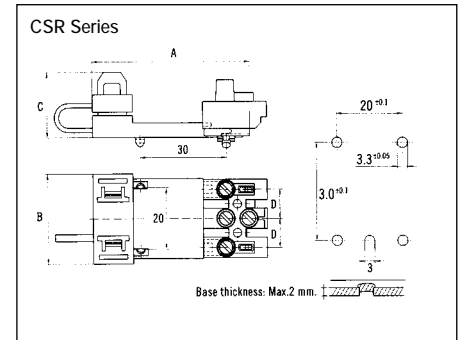
## Screw to screwless terminal strips

Type No.	Poles	Min. cable acceptance screw side (mm <sup>2</sup> )	Cable acceptance push in side (mm <sup>2</sup> )	Length A (mm)	Width B (mm)	Height C (mm)	Fixing	Max. panel thickness (mm)	Earth insert diameter (mm)	Fixing pitch (mm)	Fixing hole diameter (mm)	Max. current (A)
CTS2P/12	12	0.75	2 x 1.5	119	19	20	Hole	-	-	10	2.8	17.5
CTS2P/3E	2+E	0.75	2 x 1.5	27	27.5	20	Hole	-	4.1	10	2.8	17.5
CTS2P/3ES	2+E	0.75	2 x 1.5	27	27.5	20	Snap-in	1.0	4.1	10	Drill 3.2	17.5
CTS2P/4E	3+E	0.75	2 x 1.5	37	27.5	20	Hole	-	4.1	10	2.8	17.5
CTS2P/4ES	3+E	0.75	2 x 1.5	37	27.5	20	Snap-in	1.0	4.1	10	Drill 3.2	17.5
CTS2P/5E	4+E	0.75	2 x 1.5	47	27.5	20	Hole	-	4.1	10	2.8	17.5
CTS2P/5ES	4+E	0.75	2 x 1.5	47	27.5	20	Snap-in	1.0	4.1	10	Drill 3.2	17.5
CTS4P/12	12	0.75	4 x 1.5	118	21.5	17.6	Hole	-	-	10	2.9	24
CTS4P/12S	12	0.75	4 x 1.5	118	21.5	17.6	Snap-in	1.0	-	10	Drill 3.5	24
CTS4P/3ES	2+E	0.5	4 x 1.0	27.5	26.5	20	Snap-in	1.0	3.2	10	Drill 3.2	24

## Accessories

### Strain relief clamp for screw to screwless terminal strips

- Clamps external conductors in lighting fixtures according to EN 60598
- Natural colour PA6
- Takes the strain on the wires
- Prevents conductors from twisting
- Protects wire coating from abrasion and friction



Type No.	Connector type no.	Length A (mm)	Width B (mm)	Height C (mm)	Terminal pitch (mm)
CSR4	CTS2P/3E, 4E and 5E				
CSR4	CTS2P/3ES, 4ES and 5ES	55	31	22,5	10
CSR5	CTS4P/3ES	53	31	22.5	10

Note: maximum panel thickness for both types is 2.0mm.