

TRANSFORMERS

Chassis Mounted Transformers

- Single 230V & dual 115V primary windings
- Double section metric bobbins
- 6 to 200VA power, 50/60Hz
- Temperature class B (130° C)
- Dielectric strength 3750V_{rms}
- Manufactured and tested in accordance with EN60950 and EN61558

CTFC



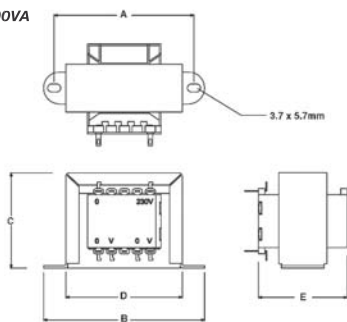
SPECIFICATION

Maximum winding temperature	55°C
Overall insulation rating	>50M Ohm (at 500V, 20°C)
Flash test (isolation test)	Primary/Secondary/Lamination 2.4KV _{rms}
Winding wire	Polyurethane coated IEC317 Grade 1
Tape	3M No 56 or 3M No 1350Y Thermosetting
Core	400/50
Finish	Ultimeg 3.72 Clear

6-100VA L-Bracket

VA RATING	REG % 2	A ±1	B ±1	C ±1	D ±1	E ±1	WEIGHT
6	24	55	68	37	45	36	170g
12	16	74	90	50	60	45	390g
20	12	74	90	50	60	52	530g
50	9	94	106	65	79	58	985g
75	8	102	118	75	89	65	1400g
100	10	102	118	75	89	65	1550g

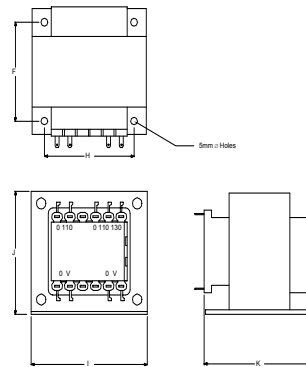
6-100VA



150-200VA L-Feet

VA RATING	REG % 2	F ±1	H ±1	I ±1	J ±1	K ±1	WEIGHT
150	9	56	55	89	74	78	530g
200	8	65	64	95	84	86	985g

150-200VA



Single Primary

TYPE NO.	VA	OUTPUT V _{ac}
CTFCS6-5	6	5
CTFCS6-6	6	6
CTFCS6-9	6	9
CTFCS6-12	6	12
CTFCS6-15	6	15
CTFCS6-18	6	18
CTFCS6-24	6	24
CTFCS12-6	12	6
CTFCS12-9	12	9
CTFCS12-12	12	12
CTFCS12-20	12	20
CTFCS12-24	12	24

TYPE NO.	VA	OUTPUT V _{ac}
CTFCS20-6	20	6
CTFCS20-9	20	9
CTFCS20-12	20	12
CTFCS20-15	20	15
CTFCS20-18	20	18
CTFCS20-20	20	20
CTFCS20-24	20	24
CTFCS50-6	50	6
CTFCS50-12	50	12
CTFCS50-15	50	15
CTFCS50-18	50	18
CTFCS50-24	50	24

TYPE NO.	VA	OUTPUT V _{ac}
CTFCS100-9	100	9
CTFCS100-12	100	12
CTFCS100-18	100	18
CTFCS100-24	100	24
CTFCS100-50	100	50
CTFCS150-12	150	12
CTFCS150-18	150	18
CTFCS150-24	150	24
CTFCS200-9	200	9
CTFCS200-18	200	18
CTFCS200-24	200	24
CTFCS200-50	200	50

Dual Primary

TYPE NO.	VA	OUTPUT V _{ac}
CTFC6-4.5	6	4.5
CTFC6-6	6	6
CTFC6-9	6	6
CTFC6-12	6	12
CTFC6-15	6	15
CTFC6-18	6	18
CTFC6-24	6	24
CTFC12-6	12	6
CTFC12-9	12	9
CTFC12-12	12	12
CTFC12-15	12	15
CTFC12-18	12	18

TYPE NO.	VA	OUTPUT V _{ac}
CTFC12-20	12	20
CTFC12-24	12	24
CTFC20-6	20	6
CTFC20-9	20	9
CTFC20-12	20	12
CTFC20-15	20	15
CTFC20-18	20	18
CTFC20-20	20	20
CTFC20-24	20	24
CTFC50-6	50	6
CTFC50-9	50	9
CTFC50-12	50	12

TYPE NO.	VA	OUTPUT V _{ac}
CTFC50-15	50	15
CTFC50-18	50	18
CTFC50-24	50	24
CTFC75-9	75	9
CTFC75-20	75	20
CTFC100-9	100	9
CTFC100-12	100	12
CTFC100-20	100	20



+44 (0)1638 716101
info@camdenboss.com
www.camdenboss.com

We operate a constant improvement policy,
our products are subject to change without notice.

CAMDENBOSS
ELECTRONICS & ENCLOSURES

PCB
TERMINAL
BLOCKS

INTER-
CONNECTION

FUSES &
FUSE-
HOLDERS

LEDs &
INDICATORS

MINIATURE
SWITCHES

LIMIT &
SAFETY
SWITCHES

CONTROL
PRODUCTS

INTERFACE
MODULES &
SUPPORTS

RELAY
BASES

ENCLOSURES

BATTERIES

TRANS-
FORMERS