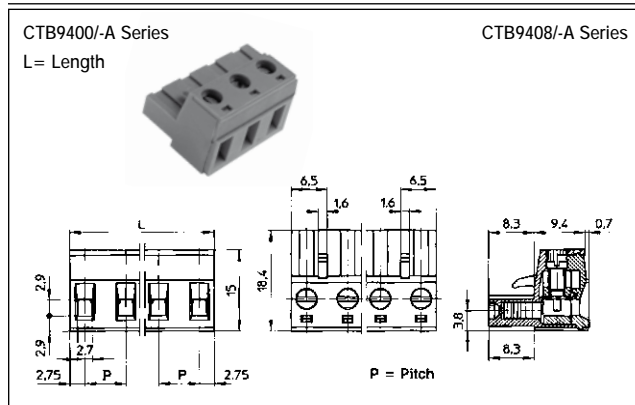


## 7.5mm & 7.62mm Pitch Plug-in Rising Clamp Terminal

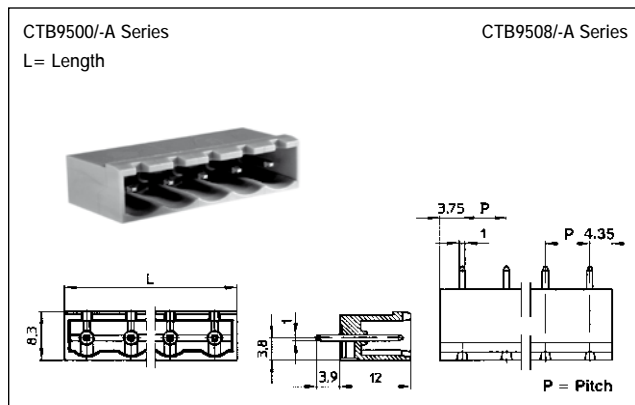
- 2-12 pole solid block
  - Plug in
  - Open & closed headers
  - Horizontal female plug style
- Polarised mouldings
  - Moulded in green
  - UL94-V0 flame retardant PA
  - Professional rising
- clamp terminals
  - 2.5mm<sup>2</sup> cable entry
  - CE, RoHS, REACH approved
  - Anti solder wicking
  - Captive screws
- Guided pin alignment

### Female connector



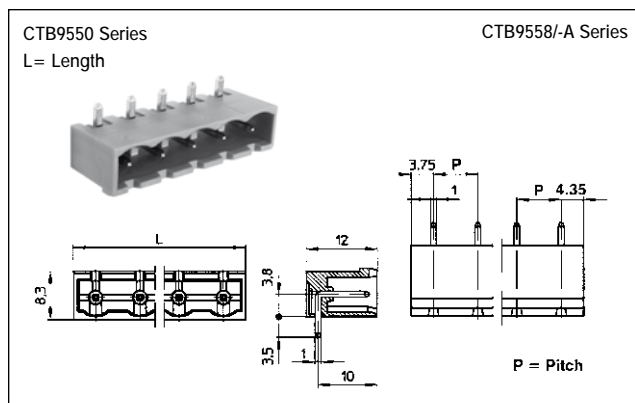
Type No.	Poles	Length	Type No.	Poles	Length
7.5mm			7.62mm		
CTB9400/2	2	13mm	CTB9408/2	2	13.24mm
CTB9400/3	3	20.5mm	CTB9408/3	3	20.86mm
CTB9400/4	4	28mm	CTB9408/4	4	28.48mm
CTB9400/5	5	35.5mm	CTB9408/5	5	36.10mm
CTB9400/6	6	43mm	CTB9408/6	6	43.72mm
CTB9400/7	7	50.5mm	CTB9408/7	7	51.34mm
CTB9400/8	8	58mm	CTB9408/8	8	58.96mm
CTB9400/9	9	65.5mm	CTB9408/9	9	66.58mm
CTB9400/10	10	73mm	CTB9408/10	10	74.20mm
CTB9400/11	11	80.5mm	CTB9408/11	11	81.82mm
CTB9400/12	12	88mm	CTB9408/12	12	89.44mm

### PCB mounting male vertical (closed ended)



Type No.	Poles	Length	Type No.	Poles	Length
7.5mm			7.62mm		
CTB9500/2	2	15mm	CTB9508/2	2	15.24mm
CTB9500/3	3	22.5mm	CTB9508/3	3	22.86mm
CTB9500/4	4	30mm	CTB9508/4	4	30.48mm
CTB9500/5	5	37.5mm	CTB9508/5	5	38.10mm
CTB9500/6	6	45mm	CTB9508/6	6	45.72mm
CTB9500/7	7	52.5mm	CTB9508/7	7	53.34mm
CTB9500/8	8	60mm	CTB9508/8	8	60.96mm
CTB9500/9	9	67.5mm	CTB9508/9	9	68.58mm
CTB9500/10	10	75mm	CTB9508/10	10	76.20mm
CTB9500/11	11	82.5mm	CTB9508/11	11	83.82mm
CTB9500/12	12	90mm	CTB9508/12	12	91.44mm

### PCB mounting male horizontal (closed ended)



Type No.	Poles	Length	Type No.	Poles	Length
7.5mm			7.62mm		
CTB9550/2	2	15mm	CTB9558/2	2	15.24mm
CTB9550/3	3	22.5mm	CTB9558/3	3	22.86mm
CTB9550/4	4	30mm	CTB9558/4	4	30.48mm
CTB9550/5	5	37.5mm	CTB9558/5	5	38.10mm
CTB9550/6	6	45mm	CTB9558/6	6	45.72mm
CTB9550/7	7	52.5mm	CTB9558/7	7	53.34mm
CTB9550/8	8	60mm	CTB9558/8	8	60.96mm
CTB9550/9	9	67.5mm	CTB9558/9	9	68.58mm
CTB9550/10	10	75mm	CTB9558/10	10	76.20mm
CTB9550/11	11	82.5mm	CTB9558/11	11	83.82mm
CTB9550/12	12	90mm	CTB9558/12	12	91.44mm

## 7.5mm & 7.62mm Pitch Plug-in Rising Clamp Terminal

### Specification

Rating	12A/500V, UL=12A, CUL=12A, IMQ=12A
Dielectric strength	≥3kV
Impulse withstand voltage	6kV
Working temperature	110°C
Moulding	UL94-V0 flame retardant PA

Pin/terminal	Tinned phosphor bronze
Rising clamp	Nickel copper flash brass
Screw/torque	M3 steel, zinc, colour plated/0.5Nm
Recommended PCB hole size	ø1.4mm

### PCB mounting male vertical (open ended)

CTB9500/-AO Series  
L= Length

CTB9508/-AO Series

Type No.	Poles	Length	Type No.	Poles	Length
7.5mm			7.62mm		
CTB9500/2AO	2	13mm	CTB9508/2AO	2	13.24mm
CTB9500/3AO	3	20.5mm	CTB9508/3AO	3	20.86mm
CTB9500/4AO	4	28mm	CTB9508/4AO	4	28.48mm
CTB9500/5AO	5	35.5mm	CTB9508/5AO	5	36.10mm
CTB9500/6AO	6	43mm	CTB9508/6AO	6	43.72mm
CTB9500/7AO	7	50.5mm	CTB9508/7AO	7	51.34mm
CTB9500/8AO	8	58mm	CTB9508/8AO	8	58.96mm
CTB9500/9AO	9	65.5mm	CTB9508/9AO	9	66.58mm
CTB9500/10AO	10	73mm	CTB9508/10AO	10	74.20mm
CTB9500/11AO	11	80.5mm	CTB9508/11AO	11	81.82mm
CTB9500/12AO	12	88mm	CTB9508/12AO	12	89.44mm

### PCB mounting male horizontal (open ended)

CTB9550/-AO Series  
L= Length

CTB9558/-AO Series

Type No.	Poles	Length	Type No.	Poles	Length
7.5mm			7.62mm		
CTB9550/2AO	2	13mm	CTB9558/2AO	2	13.24mm
CTB9550/3AO	3	20.50mm	CTB9558/3AO	3	20.86mm
CTB9550/4AO	4	28mm	CTB9558/4AO	4	28.48mm
CTB9550/5AO	5	35.50mm	CTB9558/5AO	5	36.10mm
CTB9550/6AO	6	43mm	CTB9558/6AO	6	43.72mm
CTB9550/7AO	7	50.50mm	CTB9558/7AO	7	51.34mm
CTB9550/8AO	8	58mm	CTB9558/8AO	8	58.96mm
CTB9550/9AO	9	65.50mm	CTB9558/9AO	9	66.58mm
CTB9550/10AO	10	73mm	CTB9558/10AO	10	74.20mm
CTB9550/11AO	11	80.50mm	CTB9558/11AO	11	81.82mm
CTB9550/12AO	12	88mm	CTB9558/12AO	12	89.44mm