

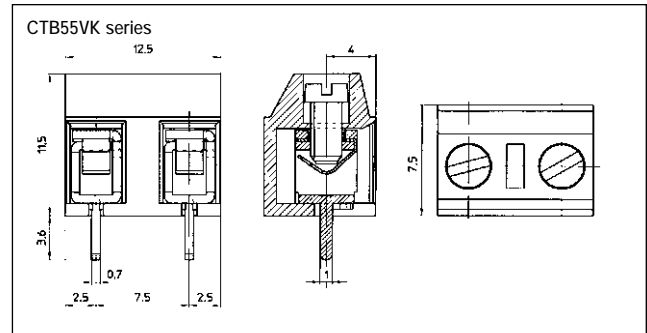
7.5mm Pitch Commercial Low Profile Screw Terminal

- 2 pole solid block
- End stackable
- Moulded in green UL94-V0 flame retardant PA
- Wire protector terminals
- 2.5mm² cable entry
- CE, UL, RoHS, REACH approved
- Captive screws
- Anti solder wicking terminal
- Guided pin alignment

CTB55VK



Type No.	Poles	Length
CTB55VK/2	2	12.5mm



Specification

Rating 24A/500V, UL=16A, CUL=16A, IMQ=24A, VDE=24A

Dielectric strength $\geq 2kV$

Impulse withstand voltage 6kV

Working temperature 110°C

Moulding UL94-V0 flame retardant PA

Pin/terminal Tinned, nickel plated brass

Screw/torque M2.5 steel, zinc & colour plated /0.4Nm max

Recommended

PCB hole size $\phi 1.3mm$