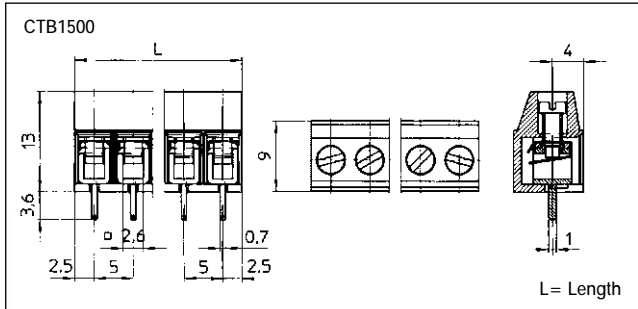


### 5mm Pitch Commercial Standard Profile Screw Terminal

- 2-24 pole solid block
- End stackable
- Moulded in grey UL94-V0 flame retardant Lexan
- Wire protector terminals
- 4mm<sup>2</sup> cable entry
- CE, UL, RoHS, approved
- Captive screw
- Anti solder wicking terminal
- Guided pin alignment



Type No.	Poles	Length
CTB1500/2	2	10mm
CTB1500/3	3	15mm
CTB1500/4	4	20mm
CTB1500/5	5	25mm
CTB1500/6	6	30mm
CTB1500/7	7	35mm
CTB1500/8	8	40mm
CTB1500/9	9	45mm
CTB1500/10	10	50mm
CTB1500/11	11	55mm
CTB1500/12	12	60mm

CTB1500/13 to CTB1500/24 available

#### Specification

Rating	24A/250V, UL=18A, CUL=18A, IMQ=24A, VDE=24A
Dielectric strength	≥2kV
Impulse withstand voltage	6kV
Working temperature	85°C
Moulding	UL94-V0 flame retardant Lexan
Pin/terminal	tinned, nickel plated brass
Wire protector	Tin plated phosphor bronze
Screw/torque	M2.5 steel, zinc, plated 0.5Nm
Recommended PCB hole size	ø1.3mm