
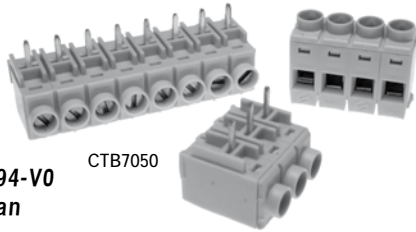


5mm Pitch 36 Pole 90° Rising Clamp Terminal

- Unique 36 pole strip
- Easily cut to required number of poles
- Can be supplied pre-cut
- Anti solder wicking
- Moulded in grey UL94-V0 flame retardant Lexan
- Professional rising clamp terminals
- 4mm² cable entry
-  approved
- Guided pin alignment
- Captive screw

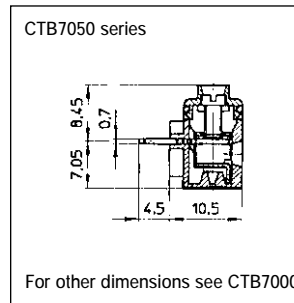


CTB7050


Type No.	Poles	Length
CTB7050/1	1	5mm
CTB7050/2	2	10mm
CTB7050/3	3	15mm
CTB7050/4	4	20mm
CTB7050/5	5	25mm
CTB7050/6	6	30mm
CTB7050/7	7	35mm
CTB7050/8	8	40mm
CTB7050/9	9	45mm
CTB7050/10	10	50mm
CTB7050/11	11	55mm
CTB7050/12	12	60mm
CTB7050/18	18	90mm
CTB7050/36	36	180mm

Specification

Rating	22A/250V, UL=16A, CUL=16A, IMQ=22A, VDE=22A
Dielectric strength	3kV
Impulse withstand voltage	4kV
Working temperature	85°C
Moulding	UL94-V0 flame retardant Lexan
Pin/terminal	Tinned, nickel plated brass
Rising clamp	Zinc plated steel
Screw/torque	M2.5 steel, zinc colour plated/0.4Nm
Recommended PCB hole size	ø1.3mm



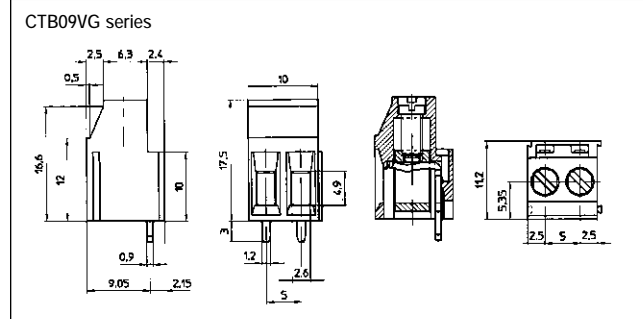
5mm Pitch Large Cable Entry Rising clamp terminal

- 2 & 3 pole double interlocking mechanism for increased strength
- Moulded in green UL94-V0 flame retardant PA
- Professional rising clamp terminals
- 2 x 2.5mm² cable entry
-  approved



CTB09VG

Type No.	Poles	Length
CTB09VG/2	2	10mm
CTB09VG/3	3	15mm
CTB09VG/4	4	20mm
CTB09VG/5	5	25mm
CTB09VG/6	6	30mm
CTB09VG/7	7	35mm
CTB09VG/8	8	40mm
CTB09VG/9	9	45mm
CTB09VG/10	10	50mm
CTB09VG/11	11	55mm
CTB09VG/12	12	60mm



Specification

Rating	24A/630Vac, UL=16A, CUL=16A, IMQ=24A, VDE=24A
Dielectric strength	>2kV
Impulse withstand voltage	6kV
Working temperature	110°C
Moulding	UL94-V0 flame retardant PA
Pin/terminal	Tinned, nickel plated brass
Wire Clamp	Nickel plated brass
Screw/torque	M3 steel, zinc & colour plated/0.5Nm max
Recommended PCB hole size	ø1.5mm