

7.5 mm Pitch Standard Profile 90° Rising Clamp Terminal

- 2 & 3 pole double interlocking mechanism for increased strength
- 4-12 pole pre-assembled
- Moulded in green UL94-V0 flame retardant PA
- Professional rising clamp terminals
- 2.5mm² cable entry
- CE, UL, RoHS, REACH, approved
- Guided pin alignment

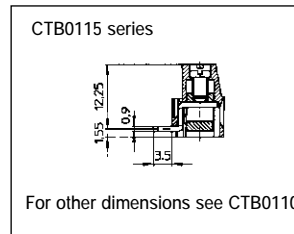


CTB0115 series

Type No.	Poles	Length
CTB0115/2	2	15mm
CTB0115/3	3	22.5mm
CTB0115/4	4	30mm
CTB0115/5	5	37.5mm
CTB0115/6	6	45mm
CTB0115/7	7	52.5mm
CTB0115/8	8	60mm
CTB0115/9	9	67.5mm
CTB0115/10	10	75mm
CTB0115/11	11	82.5mm
CTB0115/12	12	90mm

Specification

Rating	20A/750V, UL=14A, CUL=14A, IMQ=24A, VDE=24A
Dielectric strength	≥3kV/60sec
Insulation resistance	≥5MΩ
Working temperature	125°C
Moulding	UL94-V0 flame retardant PA/Pin/terminal tinned, nickel plated brass
Wire clamp	Nickel plated brass
Screw/torque	M3 steel, zinc colour plated/0.5Nm
Recommended PCB hole size	ø1.3mm



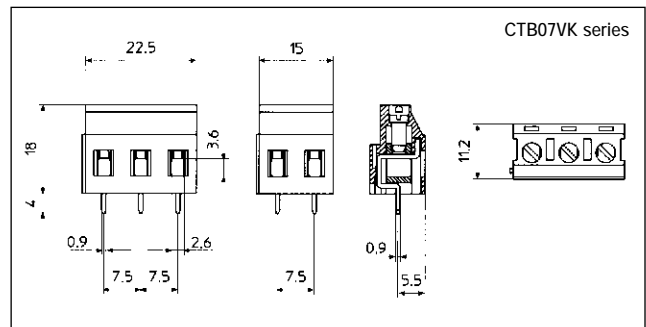
7.5mm Pitch High Current Rising Clamp Terminal

- 2 & 3 pole double interlocking mechanism for increased strength
- 4-12 pole pre-assembled
- Moulded in green UL94-V0 flame retardant PA
- Professional rising clamp terminals
- 4mm² cable entry
- CE, UL, RoHS, REACH, approved
- Guided pin alignment
- Captive screw



CTB07VK series

Type No.	Poles	Length
CTB07VK/2	2	15mm
CTB07VK/3	3	22.5mm
CTB07VK/4	4	30mm
CTB07VK/5	5	37.5mm
CTB07VK/6	6	45mm
CTB07VK/7	7	52.5mm
CTB07VK/8	8	60mm
CTB07VK/9	9	67.5mm
CTB07VK/10	10	75mm
CTB07VK/11	11	82.5mm
CTB07VK/12	12	90mm



Specification

Rating	24A/500V, UL=16A, CUL=16A, IMQ=24A, VDE=24A
Dielectric strength	≥2.5kV
Impulse withstand voltage	4kV
Working temperature	110°C
Moulding	UL94-V0 flame retardant PA
Pin/terminal	Tinned, nickel plated brass
Wire clamp	Nickel plated brass
Screw/torque	M3 steel, zinc colour plated/0.5Nm
Recommended PCB hole size	ø1.3mm