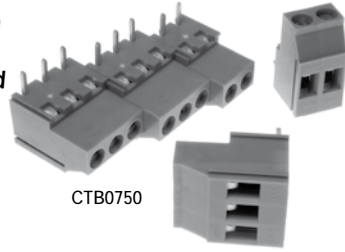


5mm Pitch High Current 90° Rising Clamp Terminal

- 2 & 3 pole double interlocking mechanism for increased strength
- 4-12 pole pre-assembled
- Moulded in green UL94-V0 flame retardant PA
- Professional rising clamp terminals
- 4mm² cable entry
- CE, RoHS, REACH, approved
- Guided pin alignment
- Captive screw

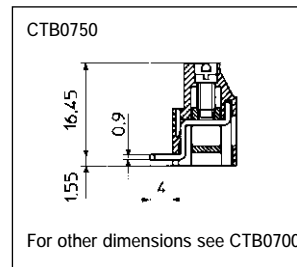


CTB0750

Type No.	Poles	Length
CTB0750/2	2	10mm
CTB0750/3	3	15mm
CTB0750/4	4	20mm
CTB0750/5	5	25mm
CTB0750/6	6	30mm
CTB0750/7	7	35mm
CTB0750/8	8	40mm
CTB0750/9	9	45mm
CTB0750/10	10	50mm
CTB0750/11	11	55mm
CTB0750/12	12	60mm

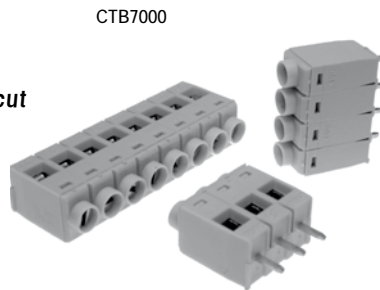
Specification

Rating	24A/320V, UL=16A, CUL=16A, IMQ=24A, VDE=24A
Dielectric strength	3kV
Impulse withstand voltage	4kV
Working temperature	110°C
Moulding	UL94-V0 flame retardant PA
Pin/terminal	Tinned, nickel plated brass
Wire clamp	Nickel plated brass
Screw/torque	M3 steel, zinc colour plated/0.5Nm
Recommended PCB hole size	ø1.3mm



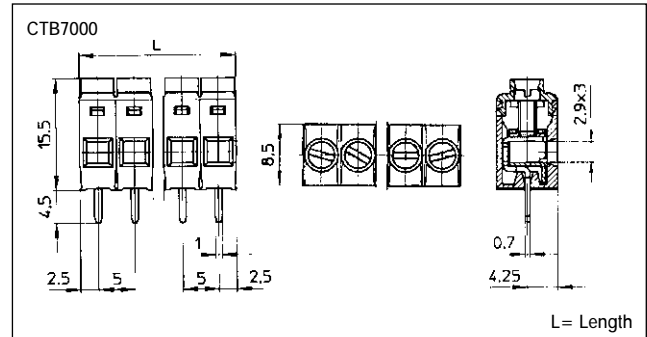
5mm Pitch 36 Pole Rising Clamp Terminal

- Unique 36 pole strip
- Easily cut to required number of poles
- Can be supplied pre-cut
- Anti solder wicking
- Moulded in grey UL94-V0 flame retardant Lexan
- Professional rising clamp terminals
- 4mm² cable entry
- CE, RoHS, REACH, approved
- Guided pin alignment
- Captive screw



CTB7000

Type No.	Poles	Length
CTB7000/1	1	5mm
CTB7000/2	2	10mm
CTB7000/3	3	15mm
CTB7000/4	4	20mm
CTB7000/5	5	25mm
CTB7000/6	6	30mm
CTB7000/7	7	35mm
CTB7000/8	8	40mm
CTB7000/9	9	45mm
CTB7000/10	10	50mm
CTB7000/11	11	55mm
CTB7000/12	12	60mm
CTB7000/18	18	90mm
CTB7000/36	36	180mm



Specification

Rating	22A/250V, UL=16A, CUL=16A, IMQ=22A, VDE=22A
Dielectric strength	3kV
Impulse withstand voltage	4kV
Working temperature	85°C
Moulding	UL94-V0 flame retardant Lexan
Pin/terminal	Tinned, nickel plated brass
Rising clamp	Zinc plated steel
Screw/torque	M2.5 steel, zinc colour plated/0.4Nm
Recommended PCB hole size	ø1.3mm