

7.62mm Pitch Standard Profile 90° Rising Clamp Terminal

- 2 & 3 pole double interlocking mechanism for increased strength
- 4-12 pole pre-assembled
- Moulded in green UL94-V0 flame retardant PA
- Professional rising clamp terminals
- 2.5mm² cable entry
- CE, UL, RoHS, approved
- Guided pin alignment



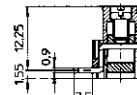
CTB01HL series

Type No.	Poles	Length
CTB01HL/2	2	15.24mm
CTB01HL/3	3	22.86mm
CTB01HL/4	4	30.48mm
CTB01HL/5	5	38.10mm
CTB01HL/6	6	45.72mm
CTB01HL/7	7	53.34mm
CTB01HL/8	8	60.96mm
CTB01HL/9	9	68.58mm
CTB01HL/10	10	76.20mm
CTB01HL/11	11	83.82mm
CTB01HL/12	12	91.44mm

Specification

Rating	24A/500V, UL=14A, CUL=14A, IMQ=24A, VDE=24A
Dielectric strength	≥3kV
Impulse withstand voltage	6kV
Working temperature	110°C
Moulding	UL94-V0 flame retardant PA
Pin/terminal	Tinned, nickel plated brass
Wire protect	Nickel plated brass
Screw/torque	M3 steel, zinc colour plated/0.5Nm
Recommended PCB hole size	ø1.3mm

CTB01HL series



For other dimensions see CTB0118

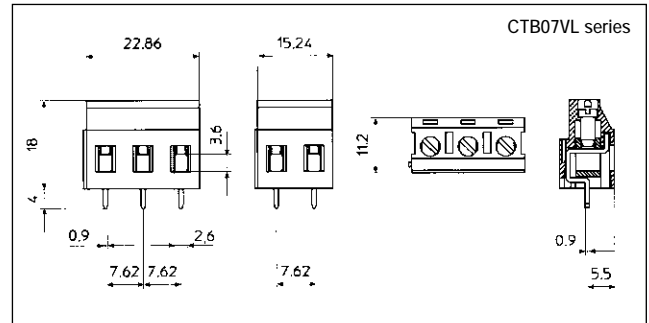
7.62mm Pitch High Current Rising Clamp Terminal

- 2 & 3 pole double interlocking mechanism for increased strength
- 4-12 pole pre-assembled
- Moulded in green UL94-V0 flame retardant PA
- Professional rising clamp terminals
- 4mm² cable entry
- CE, UL, RoHS, approved
- Guided pin alignment
- Captive screw



CTB07VL series

Type No.	Poles	Length
CTB07VL/2	2	15.24mm
CTB07VL/3	3	22.86mm
CTB07VL/4	4	30.48mm
CTB07VL/5	5	38.10mm
CTB07VL/6	6	45.72mm
CTB07VL/7	7	53.34mm
CTB07VL/8	8	60.96mm
CTB07VL/9	9	68.58mm
CTB07VL/10	10	76.20mm
CTB07VL/11	11	83.82mm
CTB07VL/12	12	91.44mm



Specification

Rating	24A/500V, UL=16A, CUL=16A, IMQ=24A, VDE=24A
Dielectric strength	≥3kV
Impulse withstand voltage	6kV
Working temperature	110°C
Moulding	UL94-V0 flame retardant PA
Pin/terminal	Tinned, nickel plated brass
Wire clamp	Nickel plated brass
Screw/torque	M3 steel, zinc colour plated/0.5Nm
Recommended PCB hole size	ø1.3mm