

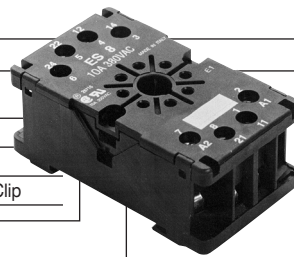
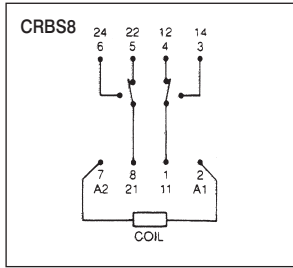
Compact 8-11 Pin Relay Bases

Features

- Compact 8 and 11 pin versions
- Finger proof to IP20
- Din Rail EN50022 mounting or chassis mount
- Rising clamp with captive screws
- 2 X 2.5mm² wire acceptance
- Common wiring terminal on CRBS9 and CRBS12
- Dual terminal numbering to IEC 67 & DIN 46 199
- Protection modules available for CRBS9 & CRBS12
- G rail adaptor available

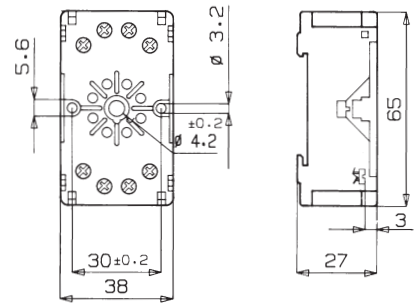
Type No	
CRBS8	8 Pin
CRBS11	11 Pin
CSC19	Retaining Clip

CRBS11



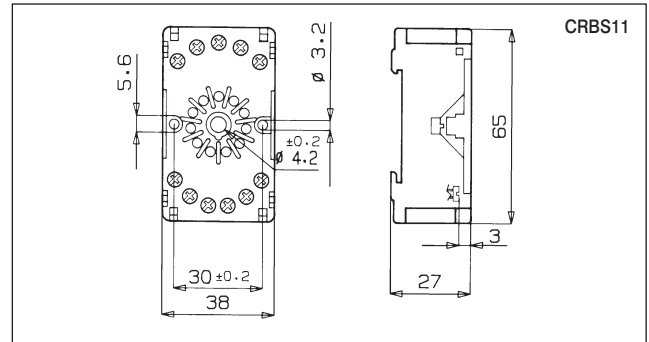
CRBS8

CRBS8

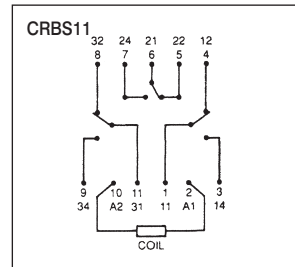


Specification

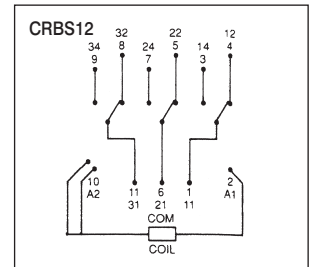
Rating:	10A/400VAC
Dielectric strength:	>3kV
Temperature, max working:	85°C
Index of protection:	IP20
Moulding:	UL94-V1 Self extinguishing glass filled PA6
Contacts:	6μ nickel plated brass
Screws:	Nickel plated steel M3 combination head
Approvals:	CSA and UL



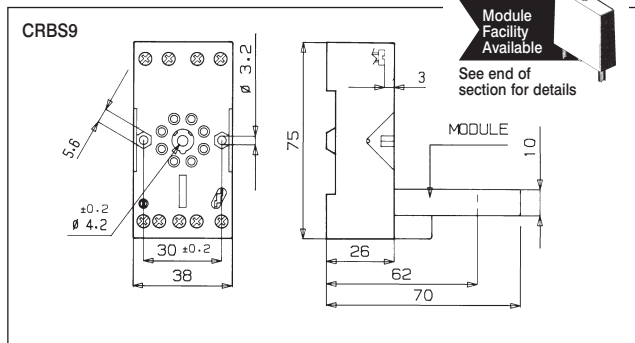
CRBS11



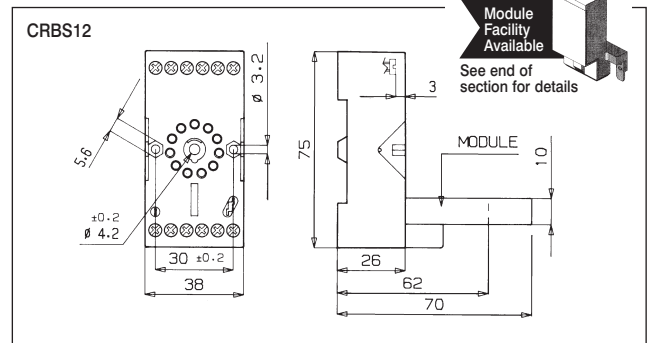
CRBS11



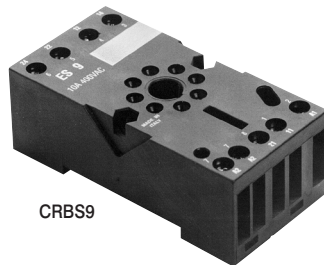
CRBS12



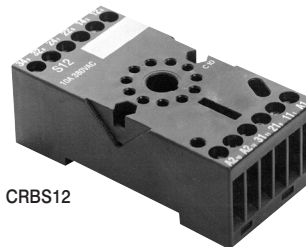
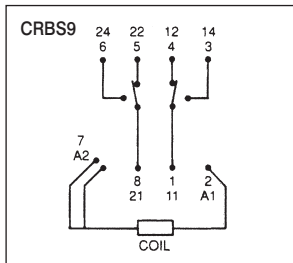
CRBS9



CRBS12



CRBS9



CRBS12

Type No	
CRBS9	8 Pin
CRBS12	11 Pin
CSC19	Retaining Clip