
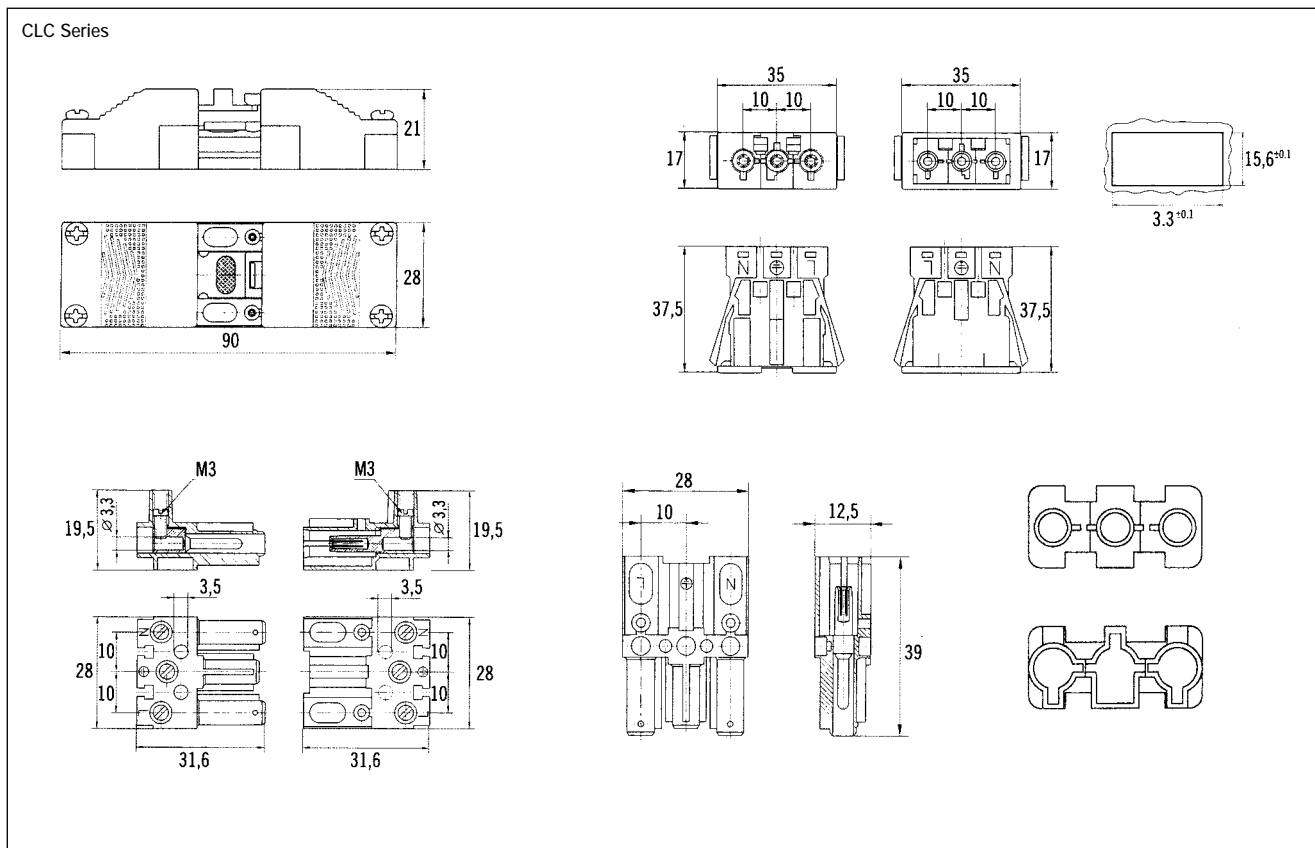
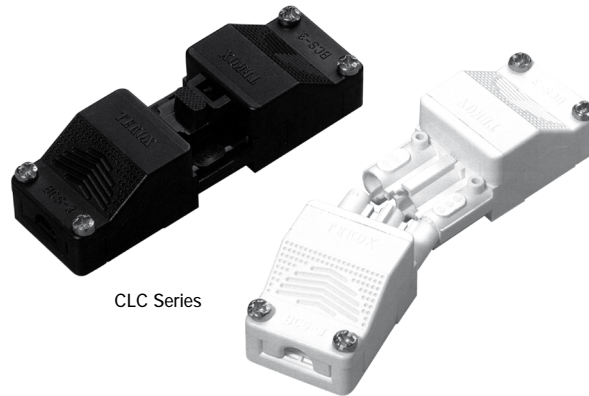


CLC Series Plug and Socket Connectors

Features

- Faster and safer electrical connections
- Black or white PA6
-  approved
- 2 poles plus earth terminal
- Raised screws for easier insertion of conductor
- Latching types available for safer connections
- Total protection of live parts
- Polarised to prevent faulty connections
- IP40 rated when plug and socket are connected



Specification

Voltage (max)	400V AC
Working temperature	-5 to +100°C
Contacts	Tinned brass
Moulding	PA6
Captive screws	Zinc-plated steel and metric thread

Rated connecting capacity

Connection type (mm)	Insert diameter (mm)	Rated connecting capacity (mm ₂)	Conductor's minimum section
Screw	3.3	2.5	1.0
Fast *	-	2.5	1.0

Note: * Two Fast connection points per pole, rigid conductor only.

CLC Series Plug and Socket Connectors

Plug-in sets (connector complete with cover)

Type No.	Colour	Plug/Socket	Cable outlet	Cable diameter (mm)	Rated connection capacity (mm ²)	Latching
CLCSMH/3W	White	Plug	Half-round	6.5 to 8.3	2.5	-
CLCSMH/3B	Black	Plug	Half-round	6.5 to 8.3	2.5	-
CLCSMHL/3W	White	Plug	Half-round	6.5 to 8.3	2.5	Y
CLCSMHL/3B	Black	Plug	Half-round	6.5 to 8.3	2.5	Y
CLCSMF/3W	White	Plug	Flat	2.0 to 4.5	2.5	-
CLCSMF/3B	Black	Plug	Flat	2.0 to 4.5	2.5	-
CLCSMFL/3W	White	Plug	Flat	2.0 to 4.5	2.5	Y
CLCSMFL/3B	Black	Plug	Flat	2.0 to 4.5	2.5	Y
CLCSFH/3W	White	Socket	Half-round	6.5 to 8.3	2.5	-
CLCSFH/3B	Black	Socket	Half-round	6.5 to 8.3	2.5	-
CLCSFHL/3W	White	Socket	Half-round	6.5 to 8.3	2.5	Y
CLCSFHL/3B	Black	Socket	Half-round	6.5 to 8.3	2.5	Y
CLCSFF/3W	White	Socket	Flat	2.0 to 4.5	2.5	-
CLCSFF/3B	Black	Socket	Flat	2.0 to 4.5	2.5	-
CLCSFFL/3W	White	Socket	Flat	2.0 to 4.5	2.5	Y
CLCSFFL/3B	Black	Socket	Flat	2.0 to 4.5	2.5	Y

Panel mounting (snap in) connectors with push wire terminals

Type No.	Colour	Plug/Socket	Rated connection capacity (mm ²)
CLCPM/3W	White	P	2 x 2.5 rigid wire
CLCPM/3B	Black	P	2 x 2.5 rigid wire
CLCPF/3W	White	S	2 x 2.5 rigid wire
CLCPF/3B	Black	S	2 x 2.5 rigid wire

Connector only

Type No.	Colour	Plug/Socket	Rated connection capacity (mm ²)
CLCCM/3W	White	P	2.5
CLCCM/3B	Black	P	2.5
CLCCF/3W	White	S	2.5
CLCCF/3B	Black	S	2.5

Accessories

Type No.	Type	Colour	To Fit	Cable outlet	Cable diameter (mm)	Latching
CLCHMH/3W	Cover	White	Plug	Half-round	6.5 to 8.3	-
CLCHMH/3B	Cover	Black	Plug	Half-round	6.5 to 8.3	-
CLCHMHL/3W	Cover	White	Plug	Half-round	6.5 to 8.3	Y
CLCHMHL/3B	Cover	Black	Plug	Half-round	6.5 to 8.3	Y
CLCHMF/3W	Cover	White	Plug	Flat	2.0 to 4.5	-
CLCHMF/3B	Cover	Black	Plug	Flat	2.0 to 4.5	-
CLCHMFL/3W	Cover	White	Plug	Flat	2.0 to 4.5	Y
CLCHMFL/3B	Cover	Black	Plug	Flat	2.0 to 4.5	Y
CLCHFHL/3W	Cover	White	Socket	Half-round	6.5 to 8.3	-
CLCHFHL/3B	Cover	Black	Socket	Half-round	6.5 to 8.3	-
CLCHFHL/3W	Cover	White	Socket	Half-round	6.5 to 8.3	Y
CLCHFHL/3B	Cover	Black	Socket	Half-round	6.5 to 8.3	Y
CLCHFF/3W	Cover	White	Socket	Flat	2.0 to 4.5	-
CLCHFF/3B	Cover	Black	Socket	Flat	2.0 to 4.5	-
CLCHFFL/3W	Cover	White	Socket	Flat	2.0 to 4.5	Y
CLCHFFL/3B	Cover	Black	Socket	Flat	2.0 to 4.5	Y
CLCBM/3W	Blanking caps	White	Plug	-	-	-
CLCBM/3B	Blanking caps	Black	Plug	-	-	-
CLCBF/3W	Blanking caps	White	Socket	-	-	-
CLCBF/3B	Blanking caps	Black	Socket	-	-	-
CLCLMF/3W	Plug-socket links for CLCP series	White	Plug/Socket	-	-	-
CLCLMF/3B	Plug-socket links for CLCP series	Black	Plug/Socket	-	-	-