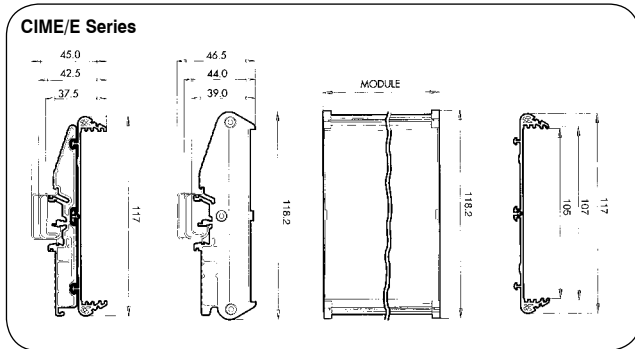
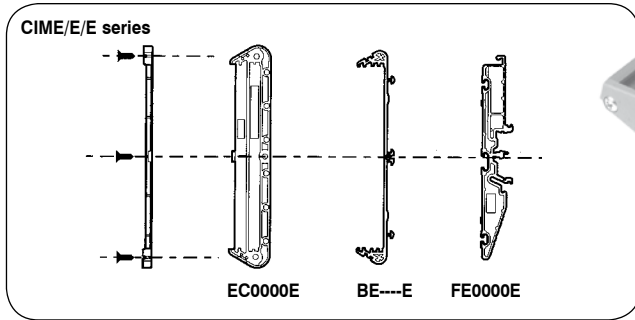


Euro Series 107mm Empty Extruded Interface Supports

- Suitable for 107mm width PCB's
- Snap fit Din Rail mounting fixtures
- Available in pre-cut lengths up to 2 metres
- Terminal blocks available in same colour if required

CIME/E/E Series



Type No.	Description	Length
CIME/E/BE2000E	Extruded base element	2000mm
CIME/E/EC0000E	End cover	
CIME/E/SCREWE	Fixing screws for end covers	
CIME/E/FE0000E	Foot element	
CIM107/xxx/E*	Complete module	

*To specify complete modules (cut to length with feet and one end pre-assembled) use pcb length minus 4mm as xxxx, eg. CIM107/126/E is a module for a 130mm pcb, one end and two feet fitted, supplied with one loose end and two screws.

NB. Cutting tolerance is ± 0.4 mm

Unless otherwise specified, the number of feet supplied is as follows:

Length	No of feet
16-50mm	1
51-150mm	2
151-300mm	3
301-500mm	4
501-750mm	5
751-999mm	6