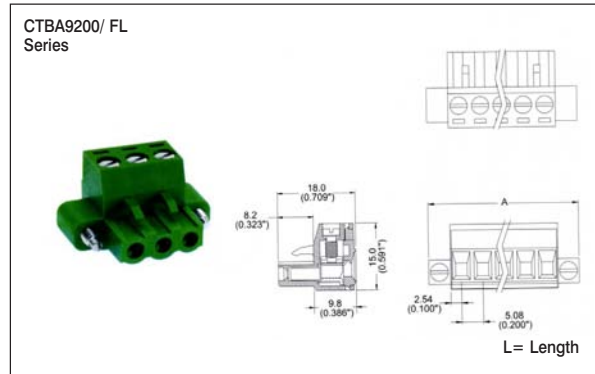


# 5.08mm Pitch Plug-in Rising Clamp Terminal with Screw Flanges

## Features

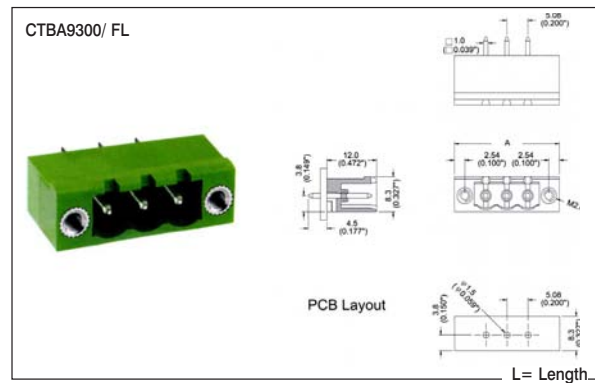
- 2-22 pole solid block
- Plug in
- Screw Flanges
- Horizontal female plug style
- Polarised mouldings
- Moulded in green UL94-V0 flame retardant PA66
- Professional rising clamp terminals
- 0.2 to 4mm<sup>2</sup> (24 to 12 AWG)
- VDE, CE and cULus approved
- Anti solder wicking
- Captive screws
- Guided pin alignment

## Female connector



Type No.	Poles	Length	Type No.	Poles	Length
CTBA9208/2FL	2	20.3mm	CTBA9208/14FL	14	81.3mm
CTBA9208/3FL	3	26.4mm	CTBA9208/15FL	15	86.4mm
CTBA9208/4FL	4	30.5mm	CTBA9208/16FL	16	91.4mm
CTBA9208/5FL	5	35.6mm	CTBA9208/17FL	17	96.5mm
CTBA9208/6FL	6	40.6mm	CTBA9208/18FL	18	101.6mm
CTBA9208/7FL	7	45.7mm	CTBA9208/19FL	19	106.7mm
CTBA9208/8FL	8	50.8mm	CTBA9208/20FL	20	111.8mm
CTBA9208/9FL	9	55.9mm	CTBA9208/21FL	21	116.8mm
CTBA9208/10FL	10	61.0mm	CTBA9208/22FL	22	121.9mm
CTBA9208/11FL	11	66.0mm			
CTBA9208/12FL	12	71.1mm			
CTBA9208/13FL	13	78.2mm			

## PCB mounting male vertical



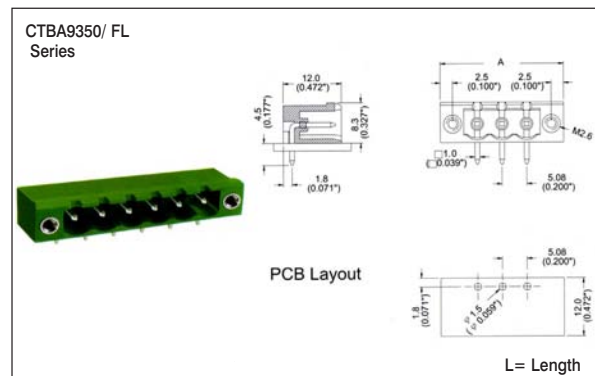
Type No.	Poles	Length	Type No.	Poles	Length
CTBA9308/2FL	2	20.3mm	CTBA9308/14FL	14	81.3mm
CTBA9308/3FL	3	26.4mm	CTBA9308/15FL	15	86.4mm
CTBA9308/4FL	4	30.5mm	CTBA9308/16FL	16	91.4mm
CTBA9308/5FL	5	35.6mm	CTBA9308/17FL	17	96.5mm
CTBA9308/6FL	6	40.6mm	CTBA9308/18FL	18	101.6mm
CTBA9308/7FL	7	45.7mm	CTBA9308/19FL	19	106.7mm
CTBA9308/8FL	8	50.8mm	CTBA9308/20FL	20	111.8mm
CTBA9308/9FL	9	55.9mm	CTBA9308/21FL	21	116.8mm
CTBA9308/10FL	10	61.0mm	CTBA9308/22FL	22	121.9mm
CTBA9308/11FL	11	66.0mm			
CTBA9308/12FL	12	71.1mm			
CTBA9308/13FL	13	78.2mm			

## Specification

Rating	16A, VDE=380V, UL=300V
Dielectric strength	2000VAC
Insulation resistance	>2MΩ
Working temperature	-40°C to +105°C
Moulding	UL94-V0 flame retardant PA66
Pin/terminal	Tinned phosphor bronze

Rising clamp	Nickel plated brass
Screw/torque	M3 steel, zinc plated 0.5Nm
Recommended PCB hole size	ø1.5mm

## PCB mounting male horizontal



Type No.	Poles	Length	Type No.	Poles	Length
CTBA9358/2FL	2	20.3mm	CTBA9358/14FL	14	81.3mm
CTBA9358/3FL	3	26.4mm	CTBA9358/15FL	15	86.4mm
CTBA9358/4FL	4	30.5mm	CTBA9358/16FL	16	91.4mm
CTBA9358/5FL	5	35.6mm	CTBA9358/17FL	17	96.5mm
CTBA9358/6FL	6	40.6mm	CTBA9358/18FL	18	101.6mm
CTBA9358/7FL	7	45.7mm	CTBA9358/19FL	19	106.7mm
CTBA9358/8FL	8	50.8mm	CTBA9358/20FL	20	111.8mm
CTBA9358/9FL	9	55.9mm	CTBA9358/21FL	21	116.8mm
CTBA9358/10FL	10	61.0mm	CTBA9358/22FL	22	121.9mm
CTBA9358/11FL	11	66.0mm			
CTBA9358/12FL	12	71.1mm			
CTBA9358/13FL	13	78.2mm			