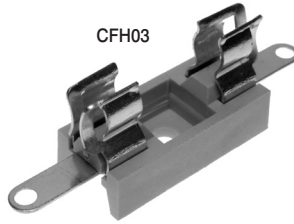


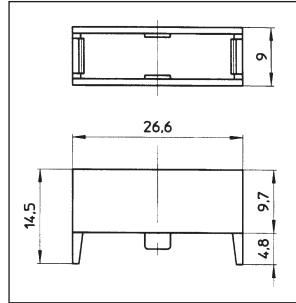
5x20mm Chassis Mounting Fuseholder

Features

- 4mm insulation from chassis
- Centre hole fixing
- Anti-rotation spigot on CFH03S
- Solder terminals
- Transparent insulation cover CFH02H or CFH02H V0
- Industry standard

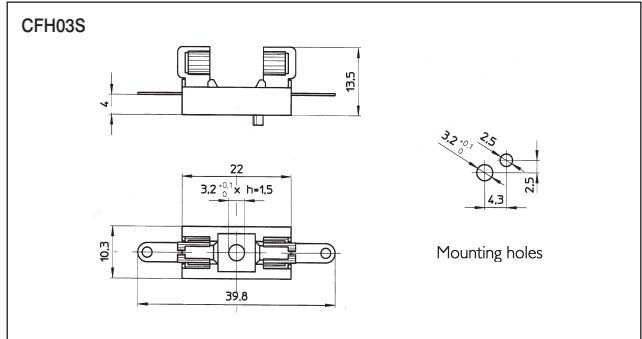
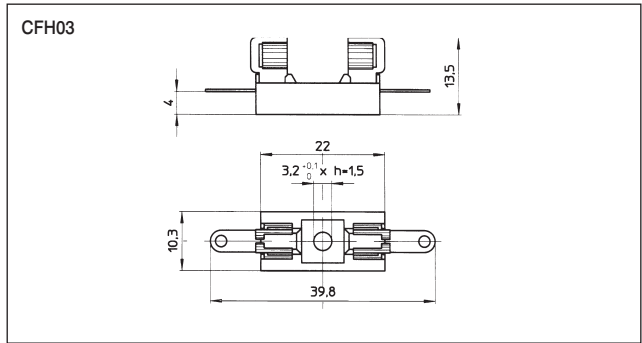


N.B. Crop off Lugs



Specification

Rating:	10A/250V
Contacts/Resistance:	Tinned nickel plated Brass/<5mΩ
Temperature:	-20°C to 125°C
Material:	UL94-V1 flame retardant PPOM
Insulation Resistance:	>100MΩ
Power dissipation:	1.6W
Approvals:	CE

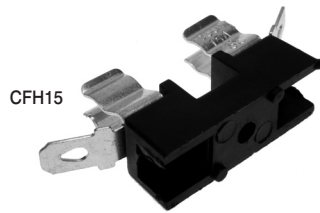


Type No.	Fuse Size	Type No.	Fuse Size
CFH03	5x20mm	CFH02H	5x20mm
CFH03S	5x20mm		

5x20mm Chassis Mounting Fuseholder

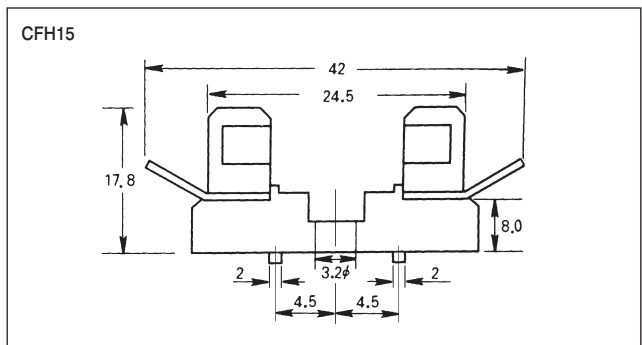
Features

- Centre hole fixing
- Anti-rotation spigots
- 5 x 20mm fuse
- To IEC 257



Specification

Rating:	15A/250V
Contacts:	High tensile phosphor Bronze <4HP contact resistance
Material:	UL94-V0 flame retardant PBT



Type No.	Fuse Size
CFH15	5x20mm



FM28614  
BS EN ISO  
9001:  
2000

Tel: +44 (0)1727 864437 Fax: +44 (0)1727 855400  
E-mail: camdeninfo@camdenelec.com Website: www.camdenelec.com

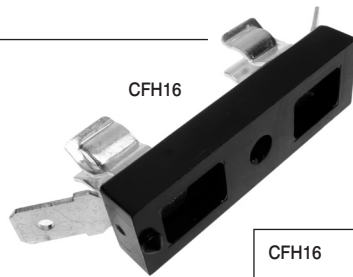
Because we operate a constant improvement policy, our products are subject to change without notice.



## 6.3x32mm (1/4"x1 1/4") Chassis Mounting Fuseholder

## Features

- Centre hole fixing
- Anti-rotation spigot
- 6.3 x 32mm fuse



Type No.	Fuse Size
CFH16	6.3x32mm

## Specification

Rating:	30A / 300V
Contacts:	Brass tin nickel plated <4mΩ contact resistance
Material:	UL94-V0 flame retardant Phenolic thermosetting resin
Approvals:	UL and CSA

